

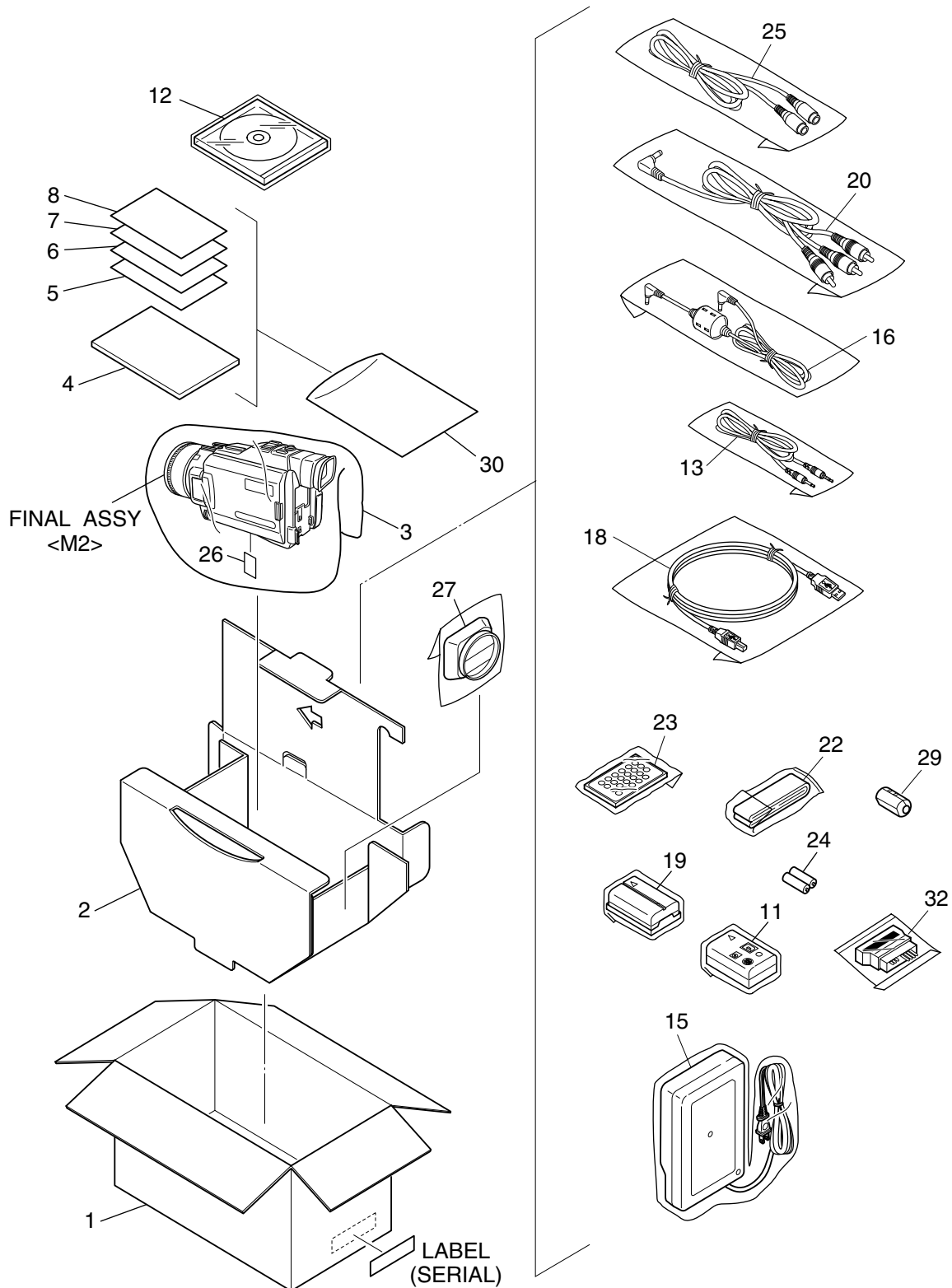
# SECTION 5 PARTS LIST

## SAFETY PRECAUTION

Parts identified by the ⚠ symbol are critical for safety. Replace only with specified part numbers.

### 5.1 PACKING AND ACCESSORY ASSEMBLY <M1>

The instruction manual to be provided with this product will differ according to the destination.



# △ REF No. PART No. PART NAME, DESCRIPTION

\*\*\*\*\*

**PACKING AND ACCESSORY ASSEMBLY <M1>**

1	LY32212-005A	PACKING CASE
2	LY20666-001B	CUSION
3	LY30023-020A	POLY BAG
△ 4	LYT0829-001A	INST.BOOK(EN)
△	LYT0829-002A	INST.BOOK(GE)
△	LYT0829-003A	INST.BOOK(FR)
△	LYT0829-004A	INST.BOOK(SP)
△	LYT0829-005A	INST.BOOK(IT)
5	LYT0736-028A	INST.BOOK(PRINTER.EN)
△ 6	LYT0830-001A	INST.BOOK(SOFT.5LANG)
7	LYT0162-024A	ACC.LEAFLET
8	LYT0378-003A	SHEET(AGREMENT)
11	LY20677-002B	JACK BOX,CU-V504U
12	LY32210-001A	CD ROM
13	PEAC0428-150	CABLE ASSY,EDITING CABLE
△ 15	LY20591-003C	AC APOWER DAPTER/CHARGER,AA-V40EG
16	QAM0301-001	DC CORD
18	QAM0322-001	USB CABLE
△ 19	LY31587-001A	BATTERY PACK,BN-V408U
20	QAM0291-001	CABLE ASSY,AUDIO/VIDEO CABLE
22	LY20186-001A	SHOULDER STRAP
23	LY20543-002A	REMOTE CONTROL UNIT,RM-V716U
24	-	BATTERY,AAA(R03),X2
25	QAM0004-004	S VIDEO CABLE
26	QAM0262-002	MULTIMEDIA CARD
27	LY32317-001A	LENS HOOD
29	QQR1081-002	CORE FILTER
30	QPA02003506	POLY BAG
32	QAM0302-001	CABLE ADAPTOR

**• INSTRUCTIONS**

- EN ..... ENGLISH
- GE ..... GERMANY
- FR ..... FRENCH
- SP ..... SPANISH
- IT ..... ITALIAN





#	△ REF No.	PART No.	PART NAME, DESCRIPTION
*****			
<b>FINAL ASSEMBLY &lt;M2&gt;</b>			
		101	LY10266-001A LOWER CASE
		102	LY31964-001G ARM ASSY
		102A	LY30002-046B COMPRESSION SPRING,X2
		102B	LY42814-001A TENSION SPRING
		105	LY31984-001B BASE
△		106	LY20657-002C CASSETTE COVER ASSY
		106A	LY31973-001A JACK COVER
		106C	LY30018-021A SPECIAL SCREW,X2
		106E	LY32045-001A HINGE ASSY(C)
		106F	LY32045-002A HINGE ASSY(C)
		106G	LY42786-001A KNOB(LOCK)
		106H	LY42787-001A HOLDER(LOCK)
		106J	LY30018-037A SPECIAL SCREW,X2
		109	LY20653-002A POWER OPE.UNIT
		110	LY31977-001A HOLDER(SPK)
		111	LY42918-001B SPACER(SPK)
		112	LY42788-001B HOOK
		113	LY42789-001B BRACKET(GRIP BELT)
		114	LY20658-002A GRIP BELT
		115	LY43019-001A SHEET(GRIP BELT)
		116	QAS0063-001 SPEAKER
		117	LY42878-001C SHEET(MMC)
		118	LY42881-001C SPACER(JACK)
		119	QYLSF2040D SCREW,X2
		120	LY30018-021A SPECIAL SCREW,X3
		121	QYLSF2040D SCREW,X2
		122	LY30018-0C7A SPECIAL SCREW,X2
		123	LY30018-0B7A SPECIAL SCREW,X3
		124	LY30018-005A SPECIAL SCREW,X2
		125	LY30018-080A SPECIAL SCREW,X2
		126	LY30018-006B SPECIAL SCREW,X3
		127	QYSPSPT1720R SCREW,X3
		128	QYSPSPT1720R SCREW
		129	LY30018-0B7A SPECIAL SCREW,X3
		130	LY30018-038A SPECIAL SCREW,X2
		131	LY30018-006B SPECIAL SCREW,X2
		132	LY30018-032A SPECIAL SCREW
		133	LY30018-0B7A SPECIAL SCREW
		134	LY40301-001A SPACER(SPK)
△		140	LY20659-005A UPPER CASE ASSY
		140A	LY31981-001A BRACKET(HINGE)
		140B	LY30018-038A SPECIAL SCREW,X3
		140C	LY40162-001A BRACKET,X2
		140D	LY40664-001A SPACER,X2
		141	LY30018-020A SPECIAL SCREW,X3
		142	LY30018-042A SPECIAL SCREW,X3
		143	LY30018-055A SPECIAL SCREW,X2
		144	LY32051-004A SUB OPE.UNIT
		150	LY31986-002B REAR COVER ASSY
		150A	LY31988-001D KNOB(B.RELEASE)
		150B	LY31989-001A BRACKET(B.RELEASE)
		150C	LY42792-001A SHEET(REAR)
		150D	LY30002-048A COMPRESSION SPRING
		150E	LY30018-066A SPECIAL SCREW,X2
		151	LY31987-001A BRACKET(TERM)
		152	LY20660-001C BATTERY TERMINAL UNIT
		153	LY30018-038A SPECIAL SCREW,X2
		154	LY30018-019A SPECIAL SCREW,X3
		155	LY30018-060A SPECIAL SCREW,X2
		160	LY20661-004A FRONT COVER ASSY
		160A	LY30029-0B1A SPACER(A)
		160B	LY31992-001A LEVER(P/S)
		160C	LY31993-001A HOLDER(P/S)
		160D	LY31995-002A COVER(JACK)
		160E	LY30018-0A7A SPECIAL SCREW
		161	LY32009-003A HOOD
		162	LY20654-002A FOCUS UNIT
		163	LY31996-004A COVER(OP)
		165	LY42840-001B FRAME ASSY
		165A	LY42841-001B SHEET(EARTH)
		166	LY20664-001B MICROPHONE
		167	LY31997-002A COVER(MENU)
		168	LY42949-001A SHOE ASSY
		169	LY31999-001A BRACKET(H.S)
		170	LY20665-001A BRACKET(AUDIO)
		171	LY42913-001A SHEET(AUDIO)

#	△ REF No.	PART No.	PART NAME, DESCRIPTION
		172	LY42920-001A SHEET(FRONT)
		173	LY30018-021A SPECIAL SCREW,X2
		174	LY30018-0A1A SPECIAL SCREW,X3
		175	LY30018-021A SPECIAL SCREW
		176	LY30018-037A SPECIAL SCREW
		177	LY30018-037A SPECIAL SCREW,X2
		178	LY30018-021A SPECIAL SCREW
		179	LY30018-031A SPECIAL SCREW,X4
		180	LY30018-052A SPECIAL SCREW,X2
		181	LY30018-0C1A SPECIAL SCREW,X2
		182	LY30018-032A SPECIAL SCREW,X5
		183	LY30018-032A SPECIAL SCREW
		184	LY30018-021A SPECIAL SCREW
		185	LY10262-004A ZOOM OPE.UNIT
		186	LY30029-0D1A SPACER(A)
		187	LY32316-001A RING
		188	LY43171-001A LABEL(CAUTION)
		190	LY41393-007A COVER(JIG CONN)
		191	LY42790-001B COVER(CASS)
		192	LY32039-001B COVER(CASS.R)
		193	LY40699-002A LABEL(PUSH)
		194	LY32001-002A LABEL(HOUSING)
		195	QYSPSPT1715Z SCREW,X3
		196	LY30018-017A SPECIAL SCREW
		197	LY42424-001A SPECIAL SCREW
		198	LY30019-002A SPECIAL SCREW
		199	LY30018-006B SPECIAL SCREW
		200	LY30018-006B SPECIAL SCREW
		201	LY30018-059A SPECIAL SCREW
		202	LY30018-006B SPECIAL SCREW,X2
		203	LY30018-0C2A SPECIAL SCREW,X2
		204	LY30018-011A SPECIAL SCREW
		205	LY30018-044A SPECIAL SCREW
		206	LY30018-044A SPECIAL SCREW,X4
		207	LY30018-006B SPECIAL SCREW,X2
		208	LY30018-044A SPECIAL SCREW
		209	LY30018-011A SPECIAL SCREW
		210	LY30018-044A SPECIAL SCREW
		211	LY30018-023A SPECIAL SCREW
		212	LY30018-063A SPECIAL SCREW
		213	LY30018-006B SPECIAL SCREW
		214	LY30018-006B SPECIAL SCREW
		215	LY30018-023A SPECIAL SCREW,X2
		216	LY30018-053A SPECIAL SCREW,X3
		217	LY30018-053A SPECIAL SCREW
		218	LY30018-019A SPECIAL SCREW
		219	LY32072-001A MENU SW UNIT
		220	LY32071-001A FRONT FPC UNIT
		230	LY20676-001C LENS SHUTTER ASSY
		231	QAL0260-001 FPC,JACK CN301
		232	LY32066-001A BRACKET(MECHA)ASSY
		232A	LY42796-001A BUSH,X3
		233	LY32067-001B BRACKET(OP)ASSY
		233A	LY42796-001A BUSH,X2
		233B	LY30029-0C6A SPACER(A)
		234	LY32012-001A SHIELD COVER(PR)
		235	LY42889-001A SHIELD(REG)
		236	LY30019-028A SPECIAL SCREW,X3
		237	LY30019-029B SPECIAL SCREW,X2
		238	QYSPSPT1414M SCREW,X5
		239	LY30029-0E6A SPACER(A)
		242	LY32194-001B LUG WIRE ASSY
		243	LY30029-0C8A SPACER(A)
		244	LY42952-001A SHEET(AUDIO)
		245	LY42951-001B SHEET(OP)
		247	QYSPSPT1712M SCREW
		248	LY30029-0F3A SPACER(A)
		249	LY42978-001B SPACER(REG PWB)
<b>- OPTICAL BLOCK SECTION -</b>			
		251	J9C-201A OPTICAL BLOCK ASSY
		251A	LY31901-001A ZOOM MOTOR
		251B	LY31902-001A FOCUS MOTOR
		251C	LY30727-002A SCREW,X6
		251D	LY30727-001A SCREW,X2
		251F	LY31900-001A SPACER RUBBER
		251G	QYSPSGU1750Z SCREW,X2
		251H	LY31903-001A IRIS MOTOR UNIT
		251J	LYH40136-002A CCD BASE ASSY

5.3 ELECTRICAL PARTS LIST

#	△ REF No.	PART No.	PART NAME, DESCRIPTION	#	△ REF No.	PART No.	PART NAME, DESCRIPTION
*****							
<b>MAIN BOARD ASSEMBLY &lt;01&gt;</b>							
		PW	YB10301F				MAIN BOARD ASSY
		IC1001	YQ44909A				CSP IC ASSY
		IC1002	RS5C314				IC
		IC1003	X25330S8I-2.5-X				IC
			or AT25320N-10SI-X				IC
			or 25LC320-I/SN-X				IC
		IC1004	TC7W08FU				IC(DIGITAL)
		IC1005	TC7W66FU				IC(DIGITAL)
		IC1007	MB90097PFV139				IC(MICRO C ROM)
		IC1008	TC74VHC08FT				IC(DIGITAL)
		IC1201	BA6417F				IC
		IC1301	TC7SH32FU				IC(DIGITAL)
		IC1302	TC7S02FU				IC(DIGITAL)
		IC1401	YQ44907A				CSP IC ASSY
		IC1403	TC7W53FU				IC(DIGITAL)
			or SN74AHC2G53T				IC
		IC3001	JCY0133				IC
		IC3002	JCY0136				IC
		IC3302	TLC2940IPW				IC
		IC3701	NJM2538V				IC
		IC3702	MM1385HN				IC
		IC3901	JCP8029				IC
		IC3903	SN74AHC1G04K				IC
			or TC7S04FU				IC(DIGITAL)
		IC3951	MM1504XN				IC
		IC4201	HD49325BHF				IC
		IC4202	RH5RZ31CA				IC
		IC4301	YQ44871A				CSP ASSY
		IC4302	MM1385NN				IC
		IC4401	BU2501FV				IC
		IC4802	TA75W01FU				IC
		IC4803	TA75W01FU				IC
		IC4804	NJM3414AV				IC
		IC4805	MM6564XFBE				IC
		IC4806	TC7W00FK				IC
		IC4807	TC7W66FK				IC
		IC4808	TC7S66FU				IC(DIGITAL)
		IC4851	UPD16879GS				IC
		IC4901	TA75W01FU				IC
		IC4902	TA75W01FU				IC
		IC4903	MM6564XFBE				IC
		IC4904	NJM3414AV				IC
		IC5001	JCY0138				IC
		IC5002	MM1385DN				IC
		IC5004	W194-70G-X				IC
		IC6001	S-80842ANNP-W				IC
		IC6002	S-817A33ANB-W				IC
		IC6003	S-814A30AMC-W				IC
		IC6004	S-80826ANNP-W				IC
		Q1001	DTC143EE				TRANSISTOR
			or RN1101				TRANSISTOR
			or UN921LJ				TRANSISTOR
		Q1002	2SC4617/QR/-X				TRANSISTOR
		Q1003	DTC124EE				TRANSISTOR
			or RN1103				TRANSISTOR
			or UN9212J				TRANSISTOR
		Q1301	2SC4617/RS/-X				TRANSISTOR
		Q1401	DTA114EE				TRANSISTOR
			or RN2102				TRANSISTOR
			or UN9111J				TRANSISTOR
		Q1402	UMC3N				TRANSISTOR
		Q1403	UMC3N				TRANSISTOR
		Q1404	DTC144EE				TRANSISTOR
			or UN9213J				TRANSISTOR
			or RN1104				TRANSISTOR
		Q2001	NDS352AP				MOS FET
		Q2002	2SK1830				MOS FET
		Q3701	DTC144EE				TRANSISTOR
			or UN9213J				TRANSISTOR
			or RN1104				TRANSISTOR
		Q3702	2SC4617/RS/-X				TRANSISTOR
		Q3951	UMZ1N				PAIR TRANSISTOR
		Q3952	DTC144EE				TRANSISTOR
			or UN9213J				TRANSISTOR
			or RN1104				TRANSISTOR
		Q3953	UMZ1N				PAIR TRANSISTOR
		Q3954	2SC4617/RS/-X				TRANSISTOR
		Q4351	2SA1832FT/G/-X				TRANSISTOR
		Q4352	UMT2N				PAIR TRANSISTOR
		Q4353	UMT2N				PAIR TRANSISTOR
		Q4354	2SA1832FT/G/-X				TRANSISTOR
		Q4801	2SC4655/BC/-X				TRANSISTOR
		Q4802	2SC4617/RS/-X				TRANSISTOR
		Q4803	DTC144EE				TRANSISTOR
			or UN9213J				TRANSISTOR
			or RN1104				TRANSISTOR
		Q4804	DTA144EE				TRANSISTOR
			or RN2104				TRANSISTOR
			or UN9113J				TRANSISTOR
		Q4851	2SC4617/RS/-X				TRANSISTOR
		Q4901	2SC4655/BC/-X				TRANSISTOR
		Q6001	CPH3304				MOS FET
		Q6002	2SK3019				MOS FET
			or 2SK1830				MOS FET
		Q6003	2SJ347				MOS FET
		Q6004	2SK3019				MOS FET
			or 2SK1830				MOS FET
		Q6005	DTC144EE				TRANSISTOR
			or UN9213J				TRANSISTOR
			or RN1104				TRANSISTOR
		Q6006	CPH3304				MOS FET
		Q6007	RN47A3				TRANSISTOR
		D1002	DA221				DIODE
		D1201	DAP222				DIODE
		D1301	RB715F				SB DIODE
		D2001	EMZ6.8N				ZENER DIODE
		D2002	EMZ6.8N				ZENER DIODE
		D2003	EMZ6.8N				ZENER DIODE
		D2004	EMZ6.8N				ZENER DIODE
		D2005	SBS006				SB DIODE
		D3002	EC2C01C				VARI CAP DIODE
		D3301	EC2C01C				VARI CAP DIODE
		D3302	EC2C01C				VARI CAP DIODE
		D4101	1SS355				DIODE
		D4801	DAN222				DIODE
		D4802	DAN222				DIODE
		D4803	DAN222				DIODE
		△ D6001	RB706D-40-X				SB DIODE
		D6002	RB715F				SB DIODE
		R1001	NRSA6AJ-0R0W				MG RESISTOR 0Ω,1/16W
		R1002	NRSA6AJ-473W				MG RESISTOR 47kΩ,1/16W
		R1003	NRSA6AJ-102W				MG RESISTOR 1kΩ,1/16W

#	△ REF No.	PART No.	PART NAME, DESCRIPTION	#	△ REF No.	PART No.	PART NAME, DESCRIPTION
R1004		NRSA6AJ-473W	MG RESISTOR 47kΩ,1/16W	R1086		NRSA6AJ-123W	MG RESISTOR 12kΩ,1/16W
R1005		NRSA6AJ-473W	MG RESISTOR 47kΩ,1/16W	R1087		NRSA6AJ-473W	MG RESISTOR 47kΩ,1/16W
R1006		NRSA6AJ-104W	MG RESISTOR 100kΩ,1/16W	R1088		NRSA6AJ-473W	MG RESISTOR 47kΩ,1/16W
R1007		NRSA6AJ-472W	MG RESISTOR 4.7kΩ,1/16W	R1089		NRSA6AJ-473W	MG RESISTOR 47kΩ,1/16W
R1008		NRSA6AJ-103W	MG RESISTOR 10kΩ,1/16W	R1090		NRSA6AJ-473W	MG RESISTOR 47kΩ,1/16W
R1009		NRSA6AJ-224W	MG RESISTOR 220kΩ,1/16W	R1091		NRSA6AJ-102W	MG RESISTOR 1kΩ,1/16W
R1010		NRSA6AJ-334W	MG RESISTOR 330kΩ,1/16W	R1092		NRSA6AJ-222W	MG RESISTOR 2.2kΩ,1/16W
R1011		NRSA6AJ-473W	MG RESISTOR 47kΩ,1/16W	R1094		NRSA6AJ-154W	MG RESISTOR 150kΩ,1/16W
R1012		NRSA6AJ-102W	MG RESISTOR 1kΩ,1/16W	R1095		NRSA6AJ-272W	MG RESISTOR 2.7kΩ,1/16W
R1013		NRSA6AJ-0R0W	MG RESISTOR 0Ω,1/16W	R1096		NRSA6AJ-183W	MG RESISTOR 18kΩ,1/16W
R1014		NRSA6AJ-473W	MG RESISTOR 47kΩ,1/16W	R1097		NRSA6AJ-473W	MG RESISTOR 47kΩ,1/16W
R1015		NRSA6AJ-473W	MG RESISTOR 47kΩ,1/16W	R1098		NRSA6AJ-103W	MG RESISTOR 10kΩ,1/16W
R1016		NRSA6AJ-473W	MG RESISTOR 47kΩ,1/16W	R1099		NRSA6AJ-472W	MG RESISTOR 4.7kΩ,1/16W
R1017		NRSA6AJ-102W	MG RESISTOR 1kΩ,1/16W	R1105		NRSA6AJ-103W	MG RESISTOR 10kΩ,1/16W
R1018		NRSA6AJ-102W	MG RESISTOR 1kΩ,1/16W	R1110		NRSA6AJ-473W	MG RESISTOR 47kΩ,1/16W
R1019		NRSA6AJ-104W	MG RESISTOR 100kΩ,1/16W	R1111		NRSA6AJ-473W	MG RESISTOR 47kΩ,1/16W
R1020		NRSA6AJ-102W	MG RESISTOR 1kΩ,1/16W	R1112		NRSA6AJ-473W	MG RESISTOR 47kΩ,1/16W
R1021		NRSA6AJ-102W	MG RESISTOR 1kΩ,1/16W	R1113		NRSA6AJ-102W	MG RESISTOR 1kΩ,1/16W
R1023		NRSA6AJ-104W	MG RESISTOR 100kΩ,1/16W	R1114		NRSA6AJ-102W	MG RESISTOR 1kΩ,1/16W
R1024		NRSA6AJ-102W	MG RESISTOR 1kΩ,1/16W	R1115		NRSA6AJ-102W	MG RESISTOR 1kΩ,1/16W
R1025		NRSA6AJ-104W	MG RESISTOR 100kΩ,1/16W	R1116		NRSA6AJ-103W	MG RESISTOR 10kΩ,1/16W
R1026		NRSA6AJ-103W	MG RESISTOR 10kΩ,1/16W	R1201		NRSA6AJ-103W	MG RESISTOR 10kΩ,1/16W
R1027		NRSA6AJ-102W	MG RESISTOR 1kΩ,1/16W	R1202		NRSA6AJ-153W	MG RESISTOR 15kΩ,1/16W
R1028		NRSA6AJ-102W	MG RESISTOR 1kΩ,1/16W	R1301		NRSA6AJ-103W	MG RESISTOR 10kΩ,1/16W
R1029		NRSA6AJ-473W	MG RESISTOR 47kΩ,1/16W	R1303		NRSA6AJ-472W	MG RESISTOR 4.7kΩ,1/16W
R1030		NRSA6AJ-472W	MG RESISTOR 4.7kΩ,1/16W	R1401		NRSA6AJ-102W	MG RESISTOR 1kΩ,1/16W
R1033		NRSA6AJ-103W	MG RESISTOR 10kΩ,1/16W	R1402		NRSA6AJ-222W	MG RESISTOR 2.2kΩ,1/16W
R1034		NRSA6AJ-153W	MG RESISTOR 15kΩ,1/16W	R1403		NRSA6AJ-222W	MG RESISTOR 2.2kΩ,1/16W
R1035		NRSA6AJ-474W	MG RESISTOR 470kΩ,1/16W	R1408		NRSA6AJ-472W	MG RESISTOR 4.7kΩ,1/16W
R1036		NRSA6AJ-474W	MG RESISTOR 470kΩ,1/16W	R1409		NRSA6AJ-331W	MG RESISTOR 330Ω,1/16W
R1037		NRSA6AJ-474W	MG RESISTOR 470kΩ,1/16W	R1413		NRSA6AJ-331W	MG RESISTOR 330Ω,1/16W
R1038		NRSA6AJ-102W	MG RESISTOR 1kΩ,1/16W	R1414		NRSA6AJ-102W	MG RESISTOR 1kΩ,1/16W
R1040		NRSA6AJ-0R0W	MG RESISTOR 0Ω,1/16W	R1415		NRSA6AJ-102W	MG RESISTOR 1kΩ,1/16W
R1041		NRSA6AJ-103W	MG RESISTOR 10kΩ,1/16W	R1416		NRSA6AJ-102W	MG RESISTOR 1kΩ,1/16W
R1042		NRSA6AJ-102W	MG RESISTOR 1kΩ,1/16W	R1417		NRSA6AJ-102W	MG RESISTOR 1kΩ,1/16W
R1043		NRSA6AJ-103W	MG RESISTOR 10kΩ,1/16W	R1418		NRSA6AJ-221W	MG RESISTOR 220Ω,1/16W
R1044		NRSA6AJ-103W	MG RESISTOR 10kΩ,1/16W	R1419		NRSA6AJ-221W	MG RESISTOR 220Ω,1/16W
R1045		NRSA6AJ-0R0W	MG RESISTOR 0Ω,1/16W	R1420		NRSA6AJ-473W	MG RESISTOR 47kΩ,1/16W
R1046		NRSA6AJ-473W	MG RESISTOR 47kΩ,1/16W	R1422		NRSA6AJ-332W	MG RESISTOR 3.3kΩ,1/16W
R1047		NRSA6AJ-473W	MG RESISTOR 47kΩ,1/16W	R1423		NRSA6AJ-332W	MG RESISTOR 3.3kΩ,1/16W
R1048		NRSA6AJ-103W	MG RESISTOR 10kΩ,1/16W	R1424		NRSA6AJ-332W	MG RESISTOR 3.3kΩ,1/16W
R1049		NRSA6AJ-0R0W	MG RESISTOR 0Ω,1/16W	R1425		NRVA6AD-753W	CMF RESISTOR 75kΩ,1/16W
R1050		NRSA6AJ-222W	MG RESISTOR 2.2kΩ,1/16W	R1426		NRSA6AJ-334W	MG RESISTOR 330kΩ,1/16W
R1051		NRSA6AJ-222W	MG RESISTOR 2.2kΩ,1/16W	R1429		NRSA6AJ-102W	MG RESISTOR 1kΩ,1/16W
R1052		NRSA6AJ-331W	MG RESISTOR 330Ω,1/16W	R1430		NRSA6AJ-102W	MG RESISTOR 1kΩ,1/16W
R1056		NRSA6AJ-331W	MG RESISTOR 330Ω,1/16W	R1437		NRSA6AJ-0R0W	MG RESISTOR 0Ω,1/16W
R1066		NRSA6AJ-0R0W	MG RESISTOR 0Ω,1/16W	R1439		NRSA6AJ-332W	MG RESISTOR 3.3kΩ,1/16W
R1067		NRSA6AJ-0R0W	MG RESISTOR 0Ω,1/16W	R1440		NRSA6AJ-332W	MG RESISTOR 3.3kΩ,1/16W
R1068		NRSA6AJ-0R0W	MG RESISTOR 0Ω,1/16W	R1441		NRSA6AJ-332W	MG RESISTOR 3.3kΩ,1/16W
R1069		NRSA6AJ-0R0W	MG RESISTOR 0Ω,1/16W	R1442		NRSA6AJ-332W	MG RESISTOR 3.3kΩ,1/16W
R1071		NRSA6AJ-0R0W	MG RESISTOR 0Ω,1/16W	R1443		NRSA6AJ-102W	MG RESISTOR 1kΩ,1/16W
R1072		NRSA6AJ-101W	MG RESISTOR 100Ω,1/16W	R1444		NRSA6AJ-102W	MG RESISTOR 1kΩ,1/16W
R1073		NRSA6AJ-101W	MG RESISTOR 100Ω,1/16W	R1445		NRSA6AJ-101W	MG RESISTOR 100Ω,1/16W
R1075		NRSA6AJ-102W	MG RESISTOR 1kΩ,1/16W	R2001		NRSA6AJ-104W	MG RESISTOR 100kΩ,1/16W
R1076		NRSA6AJ-102W	MG RESISTOR 1kΩ,1/16W	R2003		NRSA6AJ-0R0W	MG RESISTOR 0Ω,1/16W
R1077		NRSA6AJ-102W	MG RESISTOR 1kΩ,1/16W	R2005		NRSA6AJ-0R0W	MG RESISTOR 0Ω,1/16W
R1079		NRSA6AJ-103W	MG RESISTOR 10kΩ,1/16W	R2009		NRSA6AJ-103W	MG RESISTOR 10kΩ,1/16W
R1080		NRSA6AJ-104W	MG RESISTOR 100kΩ,1/16W	R2010		NRSA6AJ-103W	MG RESISTOR 10kΩ,1/16W
R1081		NRSA6AJ-223W	MG RESISTOR 22kΩ,1/16W	R2011		NRSA6AJ-103W	MG RESISTOR 10kΩ,1/16W
R1082		NRSA6AJ-393W	MG RESISTOR 39kΩ,1/16W	R2013		NRSA6AJ-103W	MG RESISTOR 10kΩ,1/16W
R1083		NRSA6AJ-104W	MG RESISTOR 100kΩ,1/16W	R2014		NRSA6AJ-102W	MG RESISTOR 1kΩ,1/16W
R1084		NRSA6AJ-103W	MG RESISTOR 10kΩ,1/16W	R2015		NRSA63J-0R0X	MG RESISTOR 0Ω,1/16W
R1085		NRSA6AJ-822W	MG RESISTOR 8.2kΩ,1/16W	R2017		NRSA6AJ-103W	MG RESISTOR 10kΩ,1/16W

#	△ REF No.	PART No.	PART NAME, DESCRIPTION		#	△ REF No.	PART No.	PART NAME, DESCRIPTION	
R2018		NRSA6AJ-103W	MG RESISTOR	10kΩ, 1/16W	R3953		NRVA6AD-152W	CMF RESISTOR	1.5kΩ, 1/16W
R2019		NRSA6AJ-103W	MG RESISTOR	10kΩ, 1/16W	R3954		NRSA6AJ-222W	MG RESISTOR	2.2kΩ, 1/16W
R2020		NRSA6AJ-103W	MG RESISTOR	10kΩ, 1/16W	R3955		NRSA6AJ-102W	MG RESISTOR	1kΩ, 1/16W
R3001		NRSA6AJ-151W	MG RESISTOR	150Ω, 1/16W	R3956		NRSA6AJ-474W	MG RESISTOR	470kΩ, 1/16W
R3002		NRSA6AJ-272W	MG RESISTOR	2.7kΩ, 1/16W	R3961		NRVA6AD-561W	CMF RESISTOR	560Ω, 1/16W
R3003		NRSA6AJ-151W	MG RESISTOR	150Ω, 1/16W	R3962		NRSA6AJ-822W	MG RESISTOR	8.2kΩ, 1/16W
R3004		NRSA6AJ-562W	MG RESISTOR	5.6kΩ, 1/16W	R3963		NRVA6AD-182W	CMF RESISTOR	1.8kΩ, 1/16W
R3005		NRSA6AJ-222W	MG RESISTOR	2.2kΩ, 1/16W	R3964		NRSA6AJ-183W	MG RESISTOR	18kΩ, 1/16W
R3006		NRSA6AJ-222W	MG RESISTOR	2.2kΩ, 1/16W	R3965		NRSA6AJ-183W	MG RESISTOR	18kΩ, 1/16W
R3007		NRSA6AJ-224W	MG RESISTOR	220kΩ, 1/16W	R3966		NRSA6AJ-681W	MG RESISTOR	680Ω, 1/16W
R3008		NRSA6AJ-103W	MG RESISTOR	10kΩ, 1/16W	R3967		NRSA6AJ-821W	MG RESISTOR	820Ω, 1/16W
R3009		NRSA6AJ-103W	MG RESISTOR	10kΩ, 1/16W	R3968		NRSA6AJ-821W	MG RESISTOR	820Ω, 1/16W
R3015		NRSA6AJ-242W	MG RESISTOR	2.4kΩ, 1/16W	R3969		NRSA6AJ-102W	MG RESISTOR	1kΩ, 1/16W
R3016		NRSA6AJ-392W	MG RESISTOR	3.9kΩ, 1/16W	R4101		NRSA6AJ-104W	MG RESISTOR	100kΩ, 1/16W
R3017		NRSA6AJ-392W	MG RESISTOR	3.9kΩ, 1/16W	R4203		NRSA6AJ-220W	MG RESISTOR	22Ω, 1/16W
R3018		NRVA6AD-560W	CMF RESISTOR	56Ω, 1/16W	R4204		NRSA6AJ-223W	MG RESISTOR	22kΩ, 1/16W
R3019		NRVA6AD-560W	CMF RESISTOR	56Ω, 1/16W	R4211		NRSA6AJ-221W	MG RESISTOR	220Ω, 1/16W
R3020		NRVA6AD-560W	CMF RESISTOR	56Ω, 1/16W	R4212		NRSA6AJ-221W	MG RESISTOR	220Ω, 1/16W
R3021		NRVA6AD-560W	CMF RESISTOR	56Ω, 1/16W	R4213		NRSA6AJ-221W	MG RESISTOR	220Ω, 1/16W
R3022		NRVA6AD-512W	CMF RESISTOR	5.1kΩ, 1/16W	R4214		NRSA6AJ-221W	MG RESISTOR	220Ω, 1/16W
R3023		NRSA6AJ-103W	MG RESISTOR	10kΩ, 1/16W	R4215		NRSA6AJ-221W	MG RESISTOR	220Ω, 1/16W
R3024		NRSA6AJ-105W	MG RESISTOR	1MΩ, 1/16W	R4216		NRSA6AJ-221W	MG RESISTOR	220Ω, 1/16W
R3025		NRSA6AJ-222W	MG RESISTOR	2.2kΩ, 1/16W	R4217		NRSA6AJ-221W	MG RESISTOR	220Ω, 1/16W
R3026		NRSA6AJ-102W	MG RESISTOR	1kΩ, 1/16W	R4218		NRSA6AJ-221W	MG RESISTOR	220Ω, 1/16W
R3027		NRSA6AJ-102W	MG RESISTOR	1kΩ, 1/16W	R4219		NRSA6AJ-221W	MG RESISTOR	220Ω, 1/16W
R3029		NRSA6AJ-561W	MG RESISTOR	560Ω, 1/16W	R4220		NRSA6AJ-221W	MG RESISTOR	220Ω, 1/16W
R3030		NRSA6AJ-392W	MG RESISTOR	3.9kΩ, 1/16W	R4302		NRSA6AJ-330W	MG RESISTOR	33Ω, 1/16W
R3044		NRSA6AJ-0R0W	MG RESISTOR	0Ω, 1/16W	R4303		NRSA6AJ-101W	MG RESISTOR	100Ω, 1/16W
R3051		NRSA6AJ-0R0W	MG RESISTOR	0Ω, 1/16W	R4304		NRSA6AJ-101W	MG RESISTOR	100Ω, 1/16W
R3054		NRSA6AJ-0R0W	MG RESISTOR	0Ω, 1/16W	R4305		NRSA6AJ-101W	MG RESISTOR	100Ω, 1/16W
R3059		NRSA6AJ-103W	MG RESISTOR	10kΩ, 1/16W	R4306		NRSA6AJ-101W	MG RESISTOR	100Ω, 1/16W
R3060		NRSA6AJ-272W	MG RESISTOR	2.7kΩ, 1/16W	R4307		NRSA6AJ-220W	MG RESISTOR	22Ω, 1/16W
R3061		NRSA6AJ-103W	MG RESISTOR	10kΩ, 1/16W	R4308		NRSA6AJ-220W	MG RESISTOR	22Ω, 1/16W
R3062		NRSA6AJ-103W	MG RESISTOR	10kΩ, 1/16W	R4310		NRSA6AJ-0R0W	MG RESISTOR	0Ω, 1/16W
R3063		NRSA6AJ-103W	MG RESISTOR	10kΩ, 1/16W	R4318		NRSA6AJ-101W	MG RESISTOR	100Ω, 1/16W
R3064		NRSA6AJ-103W	MG RESISTOR	10kΩ, 1/16W	R4320		NRSA6AJ-220W	MG RESISTOR	22Ω, 1/16W
R3311		NRVA6AD-222W	CMF RESISTOR	2.2kΩ, 1/16W	R4321		NRSA6AJ-220W	MG RESISTOR	22Ω, 1/16W
R3313		NRSA6AJ-105W	MG RESISTOR	1MΩ, 1/16W	R4322		NRSA6AJ-333W	MG RESISTOR	33kΩ, 1/16W
R3314		NRSA6AJ-101W	MG RESISTOR	100Ω, 1/16W	R4323		NRSA6AJ-333W	MG RESISTOR	33kΩ, 1/16W
R3318		NRSA6AJ-224W	MG RESISTOR	220kΩ, 1/16W	R4328		NRSA6AJ-220W	MG RESISTOR	22Ω, 1/16W
R3319		NRSA6AJ-224W	MG RESISTOR	220kΩ, 1/16W	R4329		NRSA6AJ-220W	MG RESISTOR	22Ω, 1/16W
R3331		NRSA6AJ-103W	MG RESISTOR	10kΩ, 1/16W	R4330		NRSA6AJ-470W	MG RESISTOR	47Ω, 1/16W
R3338		NRSA6AJ-220W	MG RESISTOR	22Ω, 1/16W	R4331		NRSA6AJ-220W	MG RESISTOR	22Ω, 1/16W
R3341		NRSA6AJ-221W	MG RESISTOR	220Ω, 1/16W	R4332		NRSA6AJ-220W	MG RESISTOR	22Ω, 1/16W
R3701		NRSA6AJ-225W	MG RESISTOR	2.2MΩ, 1/16W	R4333		NRSA6AJ-220W	MG RESISTOR	22Ω, 1/16W
R3702		NRSA6AJ-103W	MG RESISTOR	10kΩ, 1/16W	R4334		NRSA6AJ-220W	MG RESISTOR	22Ω, 1/16W
R3703		NRSA6AJ-203W	MG RESISTOR	20kΩ, 1/16W	R4335		NRSA6AJ-220W	MG RESISTOR	22Ω, 1/16W
R3704		NRSA6AJ-103W	MG RESISTOR	10kΩ, 1/16W	R4337		NRSA6AJ-152W	MG RESISTOR	1.5kΩ, 1/16W
R3706		NRSA6AJ-121W	MG RESISTOR	120Ω, 1/16W	R4342		NRSA6AJ-220W	MG RESISTOR	22Ω, 1/16W
R3707		NRSA6AJ-121W	MG RESISTOR	120Ω, 1/16W	R4343		NRSA6AJ-220W	MG RESISTOR	22Ω, 1/16W
R3708		NRSA6AJ-103W	MG RESISTOR	10kΩ, 1/16W	R4344		NRSA6AJ-220W	MG RESISTOR	22Ω, 1/16W
R3709		NRSA6AJ-224W	MG RESISTOR	220kΩ, 1/16W	R4345		NRSA6AJ-220W	MG RESISTOR	22Ω, 1/16W
R3710		NRSA6AJ-103W	MG RESISTOR	10kΩ, 1/16W	R4346		NRSA6AJ-220W	MG RESISTOR	22Ω, 1/16W
R3712		NRSA6AJ-680W	MG RESISTOR	68Ω, 1/16W	R4347		NRSA6AJ-220W	MG RESISTOR	22Ω, 1/16W
R3713		NRSA6AJ-680W	MG RESISTOR	68Ω, 1/16W	R4348		NRSA6AJ-220W	MG RESISTOR	22Ω, 1/16W
R3714		NRSA6AJ-101W	MG RESISTOR	100Ω, 1/16W	R4349		NRSA6AJ-220W	MG RESISTOR	22Ω, 1/16W
R3715		NRSA6AJ-472W	MG RESISTOR	4.7kΩ, 1/16W	R4356		NRVA6AD-272W	CMF RESISTOR	2.7kΩ, 1/16W
R3716		NRSA6AJ-472W	MG RESISTOR	4.7kΩ, 1/16W	R4358		NRVA6AD-272W	CMF RESISTOR	2.7kΩ, 1/16W
R3901		NRVA6AD-821W	CMF RESISTOR	820Ω, 1/16W	R4360		NRVA6AD-272W	CMF RESISTOR	2.7kΩ, 1/16W
R3902		NRVA6AD-273W	CMF RESISTOR	27kΩ, 1/16W	R4362		NRVA6AD-272W	CMF RESISTOR	2.7kΩ, 1/16W
R3903		NRVA6AD-153W	CMF RESISTOR	15kΩ, 1/16W	R4363		NRSA6AJ-153W	MG RESISTOR	15kΩ, 1/16W
R3904		NRVA6AD-821W	CMF RESISTOR	820Ω, 1/16W	R4364		NRSA6AJ-103W	MG RESISTOR	10kΩ, 1/16W
R3951		NRVA6AD-561W	CMF RESISTOR	560Ω, 1/16W	R4367		NRSA6AJ-102W	MG RESISTOR	1kΩ, 1/16W



#	△ REF No.	PART No.	PART NAME, DESCRIPTION	#	△ REF No.	PART No.	PART NAME, DESCRIPTION
R4369		NRVA6AD-201W	CMF RESISTOR 200Ω,1/16W	R4909		NRSA6AJ-185W	MG RESISTOR 1.8MΩ,1/16W
R4370		NRSA6AJ-102W	MG RESISTOR 1kΩ,1/16W	R4910		NRSA6AJ-105W	MG RESISTOR 1MΩ,1/16W
R4371		NRVA6AD-201W	CMF RESISTOR 200Ω,1/16W	R4911		NRSA6AJ-472W	MG RESISTOR 4.7kΩ,1/16W
R4372		NRSA6AJ-222W	MG RESISTOR 2.2kΩ,1/16W	R4912		NRSA6AJ-103W	MG RESISTOR 10kΩ,1/16W
R4373		NRSA6AJ-222W	MG RESISTOR 2.2kΩ,1/16W	R4913		NRSA6AJ-104W	MG RESISTOR 100kΩ,1/16W
R4374		NRVA6AD-201W	CMF RESISTOR 200Ω,1/16W	R4914		NRSA6AJ-104W	MG RESISTOR 100kΩ,1/16W
R4375		NRVA6AD-271W	CMF RESISTOR 270Ω,1/16W	R4915		NRSA6AJ-472W	MG RESISTOR 4.7kΩ,1/16W
R4376		NRSA6AJ-222W	MG RESISTOR 2.2kΩ,1/16W	R4916		NRSA6AJ-333W	MG RESISTOR 33kΩ,1/16W
R4378		NRSA6AJ-222W	MG RESISTOR 2.2kΩ,1/16W	R4917		NRSA6AJ-102W	MG RESISTOR 1kΩ,1/16W
R4379		NRVA6AD-333W	CMF RESISTOR 33kΩ,1/16W	R4918		NRSA6AJ-183W	MG RESISTOR 18kΩ,1/16W
R4383		NRVA6AD-271W	CMF RESISTOR 270Ω,1/16W	R4919		NRSA6AJ-122W	MG RESISTOR 1.2kΩ,1/16W
R4390		NRSA6AJ-103W	MG RESISTOR 10kΩ,1/16W	R4920		NRSA6AJ-104W	MG RESISTOR 100kΩ,1/16W
R4805		NRSA6AJ-103W	MG RESISTOR 10kΩ,1/16W	R4921		NRSA6AJ-151W	MG RESISTOR 150Ω,1/16W
R4806		NRSA6AJ-823W	MG RESISTOR 82kΩ,1/16W	R4922		NRSA6AJ-103W	MG RESISTOR 10kΩ,1/16W
R4807		NRSA6AJ-683W	MG RESISTOR 68kΩ,1/16W	R4923		NRSA6AJ-103W	MG RESISTOR 10kΩ,1/16W
R4808		NRSA6AJ-243W	MG RESISTOR 24kΩ,1/16W	R4924		NRSA6AJ-564W	MG RESISTOR 560kΩ,1/16W
R4809		NRSA6AJ-561W	MG RESISTOR 560Ω,1/16W	R4926		NRSA6AJ-333W	MG RESISTOR 33kΩ,1/16W
R4810		NRSA6AJ-103W	MG RESISTOR 10kΩ,1/16W	R5001		NRSA6AJ-0R0W	MG RESISTOR 0Ω,1/16W
R4811		NRSA6AJ-684W	MG RESISTOR 680kΩ,1/16W	R5002		NRVA6AD-100W	CMF RESISTOR 10Ω,1/16W
R4812		NRSA6AJ-153W	MG RESISTOR 15kΩ,1/16W	R5003		NRVA6AD-100W	CMF RESISTOR 10Ω,1/16W
R4814		NRSA6AJ-105W	MG RESISTOR 1MΩ,1/16W	R5004		NRVA6AD-100W	CMF RESISTOR 10Ω,1/16W
R4815		NRSA6AJ-472W	MG RESISTOR 4.7kΩ,1/16W	R5005		NRVA6AD-100W	CMF RESISTOR 10Ω,1/16W
R4816		NRSA6AJ-185W	MG RESISTOR 1.8MΩ,1/16W	R5006		NRVA6AD-100W	CMF RESISTOR 10Ω,1/16W
R4819		NRSA6AJ-103W	MG RESISTOR 10kΩ,1/16W	R5007		NRVA6AD-100W	CMF RESISTOR 10Ω,1/16W
R4820		NRSA6AJ-104W	MG RESISTOR 100kΩ,1/16W	R5011		NRSA6AJ-330W	MG RESISTOR 33Ω,1/16W
R4821		NRSA6AJ-104W	MG RESISTOR 100kΩ,1/16W	R5016		NRSA6AJ-220W	MG RESISTOR 22Ω,1/16W
R4822		NRSA6AJ-333W	MG RESISTOR 33kΩ,1/16W	R5017		NRSA6AJ-220W	MG RESISTOR 22Ω,1/16W
R4823		NRSA6AJ-102W	MG RESISTOR 1kΩ,1/16W	R5021		NRVA6AD-101W	CMF RESISTOR 100Ω,1/16W
R4824		NRSA6AJ-472W	MG RESISTOR 4.7kΩ,1/16W	R5023		NRSA6AJ-220W	MG RESISTOR 22Ω,1/16W
R4825		NRSA6AJ-183W	MG RESISTOR 18kΩ,1/16W	R5024		NRSA6AJ-220W	MG RESISTOR 22Ω,1/16W
R4826		NRSA6AJ-333W	MG RESISTOR 33kΩ,1/16W	R5025		NRSA6AJ-330W	MG RESISTOR 33Ω,1/16W
R4828		NRSA6AJ-122W	MG RESISTOR 1.2kΩ,1/16W	R5026		NRSA6AJ-330W	MG RESISTOR 33Ω,1/16W
R4831		NRSA6AJ-472W	MG RESISTOR 4.7kΩ,1/16W	R5027		NRSA6AJ-330W	MG RESISTOR 33Ω,1/16W
R4832		NRSA6AJ-103W	MG RESISTOR 10kΩ,1/16W	R5028		NRSA6AJ-330W	MG RESISTOR 33Ω,1/16W
R4833		NRSA6AJ-104W	MG RESISTOR 100kΩ,1/16W	R5029		NRSA6AJ-220W	MG RESISTOR 22Ω,1/16W
R4834		NRSA6AJ-103W	MG RESISTOR 10kΩ,1/16W	R6001		NRSA6AJ-104W	MG RESISTOR 100kΩ,1/16W
R4835		NRSA6AJ-103W	MG RESISTOR 10kΩ,1/16W	R6002		NRVA6AD-183W	CMF RESISTOR 18kΩ,1/16W
R4836		NRSA6AJ-151W	MG RESISTOR 150Ω,1/16W	R6003		NRSA6AJ-104W	MG RESISTOR 100kΩ,1/16W
R4837		NRSA6AJ-102W	MG RESISTOR 1kΩ,1/16W	R6004		NRSA6AJ-102W	MG RESISTOR 1kΩ,1/16W
R4838		NRSA6AJ-470W	MG RESISTOR 47Ω,1/16W	R6005		NRSA6AJ-224W	MG RESISTOR 220kΩ,1/16W
R4841		NRSA6AJ-564W	MG RESISTOR 560kΩ,1/16W	R6006		NRSA6AJ-104W	MG RESISTOR 100kΩ,1/16W
R4846		NRSA6AJ-0R0W	MG RESISTOR 0Ω,1/16W	R6007		NRSA6AJ-104W	MG RESISTOR 100kΩ,1/16W
R4856		NRSA6AJ-6R8W	MG RESISTOR 6.8Ω,1/16W	R6009		NRSA6AJ-222W	MG RESISTOR 2.2kΩ,1/16W
R4857		NRSA6AJ-6R8W	MG RESISTOR 6.8Ω,1/16W	R6010		NRSA6AJ-104W	MG RESISTOR 100kΩ,1/16W
R4858		NRSA6AJ-333W	MG RESISTOR 33kΩ,1/16W	R6011		NRSA6AJ-104W	MG RESISTOR 100kΩ,1/16W
R4860		NRSA6AJ-0R0W	MG RESISTOR 0Ω,1/16W	R6012		NRVA6AD-823W	CMF RESISTOR 82kΩ,1/16W
R4862		NRSA6AJ-6R8W	MG RESISTOR 6.8Ω,1/16W	R6013		NRVA6AD-473W	CMF RESISTOR 47kΩ,1/16W
R4863		NRSA6AJ-6R8W	MG RESISTOR 6.8Ω,1/16W	△ R6017		NRSA63J-102X	MG RESISTOR 1kΩ,1/16W
R4864		NRSA6AJ-102W	MG RESISTOR 1kΩ,1/16W	R6018		NRSA63J-471X	MG RESISTOR 470Ω,1/16W
R4865		NRSA6AJ-102W	MG RESISTOR 1kΩ,1/16W	RA1001		NRZ0034-102W	NETWORK RESISTOR 1kΩ
R4866		NRSA6AJ-102W	MG RESISTOR 1kΩ,1/16W	RA1002		NRZ0034-102W	NETWORK RESISTOR 1kΩ
R4867		NRSA6AJ-102W	MG RESISTOR 1kΩ,1/16W	RA1003		NRZ0034-102W	NETWORK RESISTOR 1kΩ
R4868		NRSA6AJ-0R0W	MG RESISTOR 0Ω,1/16W	RA1004		NRZ0034-102W	NETWORK RESISTOR 1kΩ
R4870		NRSA6AJ-271W	MG RESISTOR 270Ω,1/16W	RA1005		NRZ0034-102W	NETWORK RESISTOR 1kΩ
R4871		NRSA6AJ-0R0W	MG RESISTOR 0Ω,1/16W	RA1006		NRZ0034-104W	NETWORK RESISTOR 100kΩ
R4901		NRSA6AJ-103W	MG RESISTOR 10kΩ,1/16W	RA1007		NRZ0034-104W	NETWORK RESISTOR 100kΩ
R4902		NRSA6AJ-683W	MG RESISTOR 68kΩ,1/16W	RA1401		NRZ0034-473W	NETWORK RESISTOR 47kΩ
R4903		NRSA6AJ-823W	MG RESISTOR 82kΩ,1/16W	RA1402		NRZ0034-102W	NETWORK RESISTOR 1kΩ
R4904		NRSA6AJ-243W	MG RESISTOR 24kΩ,1/16W	RA1403		NRZ0034-102W	NETWORK RESISTOR 1kΩ
R4905		NRSA6AJ-103W	MG RESISTOR 10kΩ,1/16W	RA4301		NRZ0034-221W	NETWORK RESISTOR 220Ω
R4906		NRSA6AJ-561W	MG RESISTOR 560Ω,1/16W	RA4302		NRZ0034-221W	NETWORK RESISTOR 220Ω
R4907		NRSA6AJ-684W	MG RESISTOR 680kΩ,1/16W	RA4303		NRZ0034-221W	NETWORK RESISTOR 220Ω
R4908		NRSA6AJ-153W	MG RESISTOR 15kΩ,1/16W	RA4304		NRZ0034-221W	NETWORK RESISTOR 220Ω

#	△ REF No.	PART No.	PART NAME, DESCRIPTION		#	△ REF No.	PART No.	PART NAME, DESCRIPTION	
	RA4305	NRZ0034-221W	NETWORK RESISTOR	220Ω		C2011	NCBA1CK-103W	CAPACITOR	0.01μF,16V
	RA4306	NRZ0034-221W	NETWORK RESISTOR	220Ω		C2012	NCBA1HK-102W	CAPACITOR	0.001μF,50V
	RA4307	NRZ0034-221W	NETWORK RESISTOR	220Ω		C2013	NCBA1HK-102W	CAPACITOR	0.001μF,50V
	RA4308	NRZ0034-221W	NETWORK RESISTOR	220Ω		C2014	NCBA1HK-102W	CAPACITOR	0.001μF,50V
	C1001	NBE90JM-106X	T CAPACITOR	10μF,6.3V		C2015	NCBA1HK-102W	CAPACITOR	0.001μF,50V
	C1002	NCBA1AK-104W	CAPACITOR	0.1μF,10V		C2016	NCBA1HK-102W	CAPACITOR	0.001μF,50V
	C1003	NBE90JM-106X	T CAPACITOR	10μF,6.3V		C2017	NCBA1CK-103W	CAPACITOR	0.01μF,16V
	C1004	NCBA1AK-104W	CAPACITOR	0.1μF,10V		C2018	NCBA1CK-103W	CAPACITOR	0.01μF,16V
	C1005	NBE90JM-106X	T CAPACITOR	10μF,6.3V		C2019	NCBA1CK-103W	CAPACITOR	0.01μF,16V
	C1006	NCBA1AK-104W	CAPACITOR	0.1μF,10V		C2020	NCBA1CK-103W	CAPACITOR	0.01μF,16V
	C1007	NCBA1CK-103W	CAPACITOR	0.01μF,16V		C2021	NCBA1CK-103W	CAPACITOR	0.01μF,16V
	C1008	NCBA1CK-103W	CAPACITOR	0.01μF,16V		C2022	NCBA1CK-103W	CAPACITOR	0.01μF,16V
	C1009	NDCA1HJ-130W	CAPACITOR	13pF,50V		C2023	NCBA1CK-103W	CAPACITOR	0.01μF,16V
	C1010	NCBA1CK-103W	CAPACITOR	0.01μF,16V		C2024	NCBA1CK-103W	CAPACITOR	0.01μF,16V
	C1011	NCBA1AK-104W	CAPACITOR	0.1μF,10V		C2025	NCBA1CK-103W	CAPACITOR	0.01μF,16V
	C1012	NCBA1CK-103W	CAPACITOR	0.01μF,16V		C2026	NCBA1CK-103W	CAPACITOR	0.01μF,16V
	C1013	NCBA1CK-103W	CAPACITOR	0.01μF,16V		C2027	NCBA1CK-103W	CAPACITOR	0.01μF,16V
	C1014	NCBA1CK-103W	CAPACITOR	0.01μF,16V		C2028	NCBA1CK-103W	CAPACITOR	0.01μF,16V
	C1015	NCBA1CK-103W	CAPACITOR	0.01μF,16V		C2029	NCBA1CK-103W	CAPACITOR	0.01μF,16V
	C1016	NCBA1CK-103W	CAPACITOR	0.01μF,16V		C2030	NCBA1CK-103W	CAPACITOR	0.01μF,16V
	C1017	NCBA1CK-103W	CAPACITOR	0.01μF,16V		C2031	NCBA1CK-103W	CAPACITOR	0.01μF,16V
	C1018	NCBA1CK-103W	CAPACITOR	0.01μF,16V		C2032	NCBA1CK-103W	CAPACITOR	0.01μF,16V
	C1019	NCBA1CK-103W	CAPACITOR	0.01μF,16V		C2033	NCBA1CK-103W	CAPACITOR	0.01μF,16V
	C1020	NCBA1CK-103W	CAPACITOR	0.01μF,16V		C2034	NCBA1CK-103W	CAPACITOR	0.01μF,16V
	C1021	NCBA1AK-104W	CAPACITOR	0.1μF,10V		C2035	NCB11CK-105X	CAPACITOR	1μF,16V
	C1025	NCBA1AK-104W	CAPACITOR	0.1μF,10V		C2036	NCBA1CK-103W	CAPACITOR	0.01μF,16V
	C1026	NCBA1CK-103W	CAPACITOR	0.01μF,16V		C2037	NCBA1CK-103W	CAPACITOR	0.01μF,16V
	C1027	NCBA1CK-103W	CAPACITOR	0.01μF,16V		C2038	NCBA1CK-103W	CAPACITOR	0.01μF,16V
	C1028	NCBA1CK-103W	CAPACITOR	0.01μF,16V		C2039	NCBA1CK-103W	CAPACITOR	0.01μF,16V
	C1029	NCBA1CK-103W	CAPACITOR	0.01μF,16V		C2040	NCBA1CK-103W	CAPACITOR	0.01μF,16V
	C1030	NCBA1AK-104W	CAPACITOR	0.1μF,10V		C2041	NCBA1CK-103W	CAPACITOR	0.01μF,16V
	C1031	NCBA1CK-103W	CAPACITOR	0.01μF,16V		C2042	NCBA1CK-103W	CAPACITOR	0.01μF,16V
	C1032	NCB30JK-105X	CAPACITOR	1μF,6.3V		C2043	NCBA1CK-103W	CAPACITOR	0.01μF,16V
	C1201	NCBA1AK-104W	CAPACITOR	0.1μF,10V		C3002	NCBA1AK-104W	CAPACITOR	0.1μF,10V
	C1202	NCBA1AK-104W	CAPACITOR	0.1μF,10V		C3005	NCBA1AK-104W	CAPACITOR	0.1μF,10V
	C1204	NCB21AK-105X	CAPACITOR	1μF,10V		C3006	NCBA1AK-104W	CAPACITOR	0.1μF,10V
	C1301	NCBA1CK-103W	CAPACITOR	0.01μF,16V		C3008	NCBA1AK-104W	CAPACITOR	0.1μF,10V
	C1302	NCBA1CK-103W	CAPACITOR	0.01μF,16V		C3009	NCBA1AK-104W	CAPACITOR	0.1μF,10V
	C1401	NBE90JM-106X	T CAPACITOR	10μF,6.3V		C3010	NCBA1AK-104W	CAPACITOR	0.1μF,10V
	C1402	NBE90JM-106X	T CAPACITOR	10μF,6.3V		C3012	NCBA1AK-104W	CAPACITOR	0.1μF,10V
	C1405	NCFA1AZ-104W	CAPACITOR	0.1μF,10V		C3014	NDCA1HJ-330W	CAPACITOR	33pF,50V
	C1406	NCFA1AZ-104W	CAPACITOR	0.1μF,10V		C3015	NCBA1HK-102W	CAPACITOR	0.001μF,50V
	C1408	NCFA1AZ-104W	CAPACITOR	0.1μF,10V		C3016	NCBA1AK-104W	CAPACITOR	0.1μF,10V
	C1409	NCFA1AZ-104W	CAPACITOR	0.1μF,10V		C3017	NCB30JK-105X	CAPACITOR	1μF,6.3V
	C1410	NCFA1AZ-104W	CAPACITOR	0.1μF,10V		C3018	NCBA1EK-472W	CAPACITOR	0.0047μF,25V
	C1411	NCFA1AZ-104W	CAPACITOR	0.1μF,10V		C3019	NDCA1EJ-271W	CAPACITOR	270pF,25V
	C1412	NCFA1AZ-104W	CAPACITOR	0.1μF,10V		C3021	NCBA1AK-104W	CAPACITOR	0.1μF,10V
	C1413	NCFA1AZ-104W	CAPACITOR	0.1μF,10V		C3022	NCBA1AK-104W	CAPACITOR	0.1μF,10V
	C1414	NCBA1CK-103W	CAPACITOR	0.01μF,16V		C3023	NCBA1AK-104W	CAPACITOR	0.1μF,10V
	C1415	NCBA1CK-103W	CAPACITOR	0.01μF,16V		C3024	NDCA1HJ-100W	CAPACITOR	10pF,50V
	C1416	NCBA1CK-103W	CAPACITOR	0.01μF,16V		C3025	NDCA1HJ-100W	CAPACITOR	10pF,50V
	C1417	NCBA1CK-223W	CAPACITOR	0.022μF,16V		C3026	NCBA1AK-104W	CAPACITOR	0.1μF,10V
	C1418	NCBA1CK-223W	CAPACITOR	0.022μF,16V		C3027	NCBA1AK-104W	CAPACITOR	0.1μF,10V
	C1419	NCBA1CK-223W	CAPACITOR	0.022μF,16V		C3028	NCBA1AK-104W	CAPACITOR	0.1μF,10V
	C1420	NCBA1CK-223W	CAPACITOR	0.022μF,16V		C3029	NCBA1AK-104W	CAPACITOR	0.1μF,10V
	C2003	NCBA1CK-103W	CAPACITOR	0.01μF,16V		C3030	NCBA1AK-104W	CAPACITOR	0.1μF,10V
	C2004	NCBA1CK-103W	CAPACITOR	0.01μF,16V		C3031	NCBA1AK-104W	CAPACITOR	0.1μF,10V
	C2005	NCBA1HK-102W	CAPACITOR	0.001μF,50V		C3032	NDCA1HJ-151W	CAPACITOR	150pF,50V
	C2006	NCBA1CK-103W	CAPACITOR	0.01μF,16V		C3034	NCBA1AK-473W	CAPACITOR	0.047μF,10V
	C2007	NCBA1CK-103W	CAPACITOR	0.01μF,16V		C3035	NCBA1AK-104W	CAPACITOR	0.1μF,10V
	C2008	NCBA1CK-103W	CAPACITOR	0.01μF,16V		C3037	NCB30JK-105X	CAPACITOR	1μF,6.3V
	C2009	NCBA1CK-103W	CAPACITOR	0.01μF,16V		C3038	NCBA1AK-104W	CAPACITOR	0.1μF,10V
	C2010	NCBA1CK-103W	CAPACITOR	0.01μF,16V		C3039	NBE80JM-106X	T CAPACITOR	10μF,6.3V

#	△ REF No.	PART No.	PART NAME, DESCRIPTION		#	△ REF No.	PART No.	PART NAME, DESCRIPTION	
C3040		NBE80JM-106X	T CAPACITOR	10μF,6.3V	C3961		NCBA1HK-102W	CAPACITOR	0.001μF,50V
C3041		NCBA1AK-104W	CAPACITOR	0.1μF,10V	C3962		NDCA1HJ-3R0W	CAPACITOR	3pF,50V
C3042		NCB30JK-105X	CAPACITOR	1μF,6.3V	C3963		NDCA1HJ-5R0W	CAPACITOR	5pF,50V
C3044		NBE80JM-106X	T CAPACITOR	10μF,6.3V	C3964		NDCA1HJ-330W	CAPACITOR	33pF,50V
C3045		NCBA1AK-104W	CAPACITOR	0.1μF,10V	C3965		NCBA1HK-102W	CAPACITOR	0.001μF,50V
C3046		NCB30JK-105X	CAPACITOR	1μF,6.3V	C3967		NCBA1CK-103W	CAPACITOR	0.01μF,16V
C3048		NCBA1AK-104W	CAPACITOR	0.1μF,10V	C3968		NCBA1CK-103W	CAPACITOR	0.01μF,16V
C3052		NCBA1AK-104W	CAPACITOR	0.1μF,10V	C4101		NCF31EZ-104X	CAPACITOR	0.1μF,25V
C3053		NCBA1AK-104W	CAPACITOR	0.1μF,10V	C4102		NBP41EM-475X	T CAPACITOR	4.7μF,25V
C3318		NCBA1CK-103W	CAPACITOR	0.01μF,16V	C4103		NCF31EZ-104X	CAPACITOR	0.1μF,25V
C3319		NCBA1CK-103W	CAPACITOR	0.01μF,16V	C4104		NCBA1AK-104W	CAPACITOR	0.1μF,10V
C3320		NCB21AK-105X	CAPACITOR	1μF,10V	C4105		NBE41AM-476X	T CAPACITOR	47μF,10V
C3325		NDCA1HJ-9R0W	CAPACITOR	9pF,50V	C4106		NCBA1AK-104W	CAPACITOR	0.1μF,10V
C3326		NDCA1HJ-9R0W	CAPACITOR	9pF,50V	C4107		NCBA1AK-104W	CAPACITOR	0.1μF,10V
C3328		NDCA1HJ-470W	CAPACITOR	47pF,50V	C4108		NBP21VM-105X	T CAPACITOR	1μF,35V
C3329		NCBA1HK-102W	CAPACITOR	0.001μF,50V	C4109		NCF31EZ-104X	CAPACITOR	0.1μF,25V
C3330		NCBA1AK-104W	CAPACITOR	0.1μF,10V	C4201		NBE40JM-476X	T CAPACITOR	47μF,6.3V
C3331		NCBA1HK-102W	CAPACITOR	0.001μF,50V	C4202		NBE20GM-476X	T CAPACITOR	47μF,4.0V
C3332		NDCA1HJ-390W	CAPACITOR	39pF,50V	C4203		NCBA1CK-103W	CAPACITOR	0.01μF,16V
C3701		NCBA1AK-104W	CAPACITOR	0.1μF,10V	C4204		NCBA1AK-104W	CAPACITOR	0.1μF,10V
C3702		NCBA1CK-103W	CAPACITOR	0.01μF,16V	C4205		NBE20GM-476X	T CAPACITOR	47μF,4.0V
C3703		NCBA1CK-103W	CAPACITOR	0.01μF,16V	C4207		NBE90JM-106X	T CAPACITOR	10μF,6.3V
C3704		NBE80JM-106X	T CAPACITOR	10μF,6.3V	C4208		NCBA1AK-104W	CAPACITOR	0.1μF,10V
C3707		NBE20GM-226X	T CAPACITOR	22μF,4.0V	C4209		NCBA1AK-104W	CAPACITOR	0.1μF,10V
C3708		NBE40GM-107X	T CAPACITOR	100μF,4.0V	C4210		NCB30JK-105X	CAPACITOR	1μF,6.3V
C3709		NCBA1CK-103W	CAPACITOR	0.01μF,16V	C4211		NCB30JK-105X	CAPACITOR	1μF,6.3V
C3710		NCFA1AZ-104W	CAPACITOR	0.1μF,10V	C4212		NCBA1CK-123W	CAPACITOR	0.012μF,16V
C3711		NCFA1AZ-104W	CAPACITOR	0.1μF,10V	C4213		NCB30JK-105X	CAPACITOR	1μF,6.3V
C3712		NCBA1CK-103W	CAPACITOR	0.01μF,16V	C4214		NCBA1AK-104W	CAPACITOR	0.1μF,10V
C3713		NCBA1CK-103W	CAPACITOR	0.01μF,16V	C4215		NCB30JK-105X	CAPACITOR	1μF,6.3V
C3714		NBE80JM-106X	T CAPACITOR	10μF,6.3V	C4216		NCB30JK-105X	CAPACITOR	1μF,6.3V
C3715		NCBA1CK-103W	CAPACITOR	0.01μF,16V	C4217		NCB30JK-105X	CAPACITOR	1μF,6.3V
C3716		NCB30JK-105X	CAPACITOR	1μF,6.3V	C4218		NCBA1AK-104W	CAPACITOR	0.1μF,10V
C3721		NBE20JM-226X	T CAPACITOR	22μF,6.3V	C4219		NCBA1AK-104W	CAPACITOR	0.1μF,10V
C3722		NCF31AZ-105X	CAPACITOR	1μF,10V	C4220		NCBA1AK-104W	CAPACITOR	0.1μF,10V
C3723		NBE80JM-106X	T CAPACITOR	10μF,6.3V	C4221		NCBA1CK-103W	CAPACITOR	0.01μF,16V
C3724		NCBA1CK-103W	CAPACITOR	0.01μF,16V	C4222		NCBA1CK-103W	CAPACITOR	0.01μF,16V
C3901		NCBA1AK-104W	CAPACITOR	0.1μF,10V	C4223		NCBA1CK-103W	CAPACITOR	0.01μF,16V
C3902		NCBA1AK-104W	CAPACITOR	0.1μF,10V	C4224		NCBA1CK-103W	CAPACITOR	0.01μF,16V
C3903		NCBA1AK-104W	CAPACITOR	0.1μF,10V	C4225		NCBA1CK-103W	CAPACITOR	0.01μF,16V
C3904		NCBA1AK-104W	CAPACITOR	0.1μF,10V	C4226		NCBA1CK-103W	CAPACITOR	0.01μF,16V
C3905		NCBA1AK-104W	CAPACITOR	0.1μF,10V	C4301		NCB30JK-105X	CAPACITOR	1μF,6.3V
C3906		NCBA1AK-104W	CAPACITOR	0.1μF,10V	C4302		NBE90JM-106X	T CAPACITOR	10μF,6.3V
C3907		NCBA1AK-104W	CAPACITOR	0.1μF,10V	C4303		NCBA1AK-104W	CAPACITOR	0.1μF,10V
C3908		NCBA1AK-104W	CAPACITOR	0.1μF,10V	C4304		NBE90JM-106X	T CAPACITOR	10μF,6.3V
C3909		NCBA1AK-104W	CAPACITOR	0.1μF,10V	C4306		NCB30JK-105X	CAPACITOR	1μF,6.3V
C3910		NCBA1AK-104W	CAPACITOR	0.1μF,10V	C4307		NBE90JM-106X	T CAPACITOR	10μF,6.3V
C3911		NCBA1AK-104W	CAPACITOR	0.1μF,10V	C4308		NCBA1AK-104W	CAPACITOR	0.1μF,10V
C3912		NCBA1AK-104W	CAPACITOR	0.1μF,10V	C4309		NCBA1AK-104W	CAPACITOR	0.1μF,10V
C3913		NCBA1AK-104W	CAPACITOR	0.1μF,10V	C4310		NBG40GM-226X	T CAPACITOR	22μF,4.0V
C3914		NCBA1AK-104W	CAPACITOR	0.1μF,10V	C4312		NCBA1AK-104W	CAPACITOR	0.1μF,10V
C3916		NBE80JM-106X	T CAPACITOR	10μF,6.3V	C4313		NCBA1AK-104W	CAPACITOR	0.1μF,10V
C3917		NCBA1AK-104W	CAPACITOR	0.1μF,10V	C4315		NCBA1AK-104W	CAPACITOR	0.1μF,10V
C3919		NCB21CK-105X	CAPACITOR	1μF,16V	C4316		NCBA1AK-104W	CAPACITOR	0.1μF,10V
C3920		NCB21CK-105X	CAPACITOR	1μF,16V	C4317		NCBA1AK-104W	CAPACITOR	0.1μF,10V
C3951		NBE90JM-106X	T CAPACITOR	10μF,6.3V	C4318		NCBA1AK-104W	CAPACITOR	0.1μF,10V
C3952		NCB30JK-105X	CAPACITOR	1μF,6.3V	C4319		NCBA1AK-104W	CAPACITOR	0.1μF,10V
C3954		NCBA1AK-104W	CAPACITOR	0.1μF,10V	C4320		NCBA1AK-104W	CAPACITOR	0.1μF,10V
C3955		NDCA1HJ-3R0W	CAPACITOR	3pF,50V	C4321		NCBA1AK-104W	CAPACITOR	0.1μF,10V
C3956		NDCA1HJ-5R0W	CAPACITOR	5pF,50V	C4322		NCBA1AK-104W	CAPACITOR	0.1μF,10V
C3957		NDCA1HJ-330W	CAPACITOR	33pF,50V	C4323		NBE90JM-106X	T CAPACITOR	10μF,6.3V
C3958		NCB20JM-475X	CAPACITOR	4.7μF,6.3V	C4351		NCBA1AK-104W	CAPACITOR	0.1μF,10V
C3959		NCBA1CK-103W	CAPACITOR	0.01μF,16V	C4352		NCBA1AK-104W	CAPACITOR	0.1μF,10V

#	△ REF No.	PART No.	PART NAME, DESCRIPTION	#	△ REF No.	PART No.	PART NAME, DESCRIPTION	
C4353		NCB30JK-105X	CAPACITOR	1μF,6.3V	C5005	NCBA1AK-104W	CAPACITOR	0.1μF,10V
C4355		NCB30JK-105X	CAPACITOR	1μF,6.3V	C5006	NCBA1AK-104W	CAPACITOR	0.1μF,10V
C4357		NCB30JK-105X	CAPACITOR	1μF,6.3V	C5007	NCB30JK-105X	CAPACITOR	1μF,6.3V
C4359		NCB30JK-105X	CAPACITOR	1μF,6.3V	C5008	NBE90JM-106X	T CAPACITOR	10μF,6.3V
C4361		NCBA1AK-104W	CAPACITOR	0.1μF,10V	C5009	NCBA1AK-104W	CAPACITOR	0.1μF,10V
C4362		NCBA1AK-104W	CAPACITOR	0.1μF,10V	C5011	NCBA1AK-104W	CAPACITOR	0.1μF,10V
C4363		NCBA1AK-104W	CAPACITOR	0.1μF,10V	C5012	NCBA1AK-104W	CAPACITOR	0.1μF,10V
C4364		NCBA1AK-104W	CAPACITOR	0.1μF,10V	C5013	NCBA1AK-104W	CAPACITOR	0.1μF,10V
C4365		NBE90JM-106X	T CAPACITOR	10μF,6.3V	C5014	NBM90JM-226X	T CAPACITOR	22μF,6.3V
C4401		NBE90GM-226X	T CAPACITOR	22μF,4.0V	C5017	NCBA1AK-104W	CAPACITOR	0.1μF,10V
C4402		NCBA1CK-103W	CAPACITOR	0.01μF,16V	C5018	NCB30JK-105X	CAPACITOR	1μF,6.3V
C4801		NBE21AM-106X	T CAPACITOR	10μF,10V	C5019	NCB30JK-105X	CAPACITOR	1μF,6.3V
C4802		NCFA1AZ-104W	CAPACITOR	0.1μF,10V	C5221	NCF31EZ-104X	CAPACITOR	0.1μF,25V
C4803		NBE90JM-106X	T CAPACITOR	10μF,6.3V	C5222	NCBA1AK-104W	CAPACITOR	0.1μF,10V
C4804		NCFA1AZ-104W	CAPACITOR	0.1μF,10V	C5223	NBP41EM-475X	T CAPACITOR	4.7μF,25V
C4805		NCFA1AZ-104W	CAPACITOR	0.1μF,10V	C5224	NBE41AM-476X	T CAPACITOR	47μF,10V
C4806		NCFA1AZ-104W	CAPACITOR	0.1μF,10V	C5225	NBE41AM-476X	T CAPACITOR	47μF,10V
C4808		NCB30JK-105X	CAPACITOR	1μF,6.3V	C5227	NCF31EZ-104X	CAPACITOR	0.1μF,25V
C4809		NCFA1AZ-104W	CAPACITOR	0.1μF,10V	C5228	NCBA1AK-104W	CAPACITOR	0.1μF,10V
C4810		NCFA1HZ-103W	CAPACITOR	0.01μF,50V	C5230	NBE41AM-476X	T CAPACITOR	47μF,10V
C4811		NCFA1HZ-103W	CAPACITOR	0.01μF,50V	C5231	NBE41AM-476X	T CAPACITOR	47μF,10V
C4812		NCFA1AZ-104W	CAPACITOR	0.1μF,10V	C5232	NBE41AM-476X	T CAPACITOR	47μF,10V
C4813		NCFA1AZ-104W	CAPACITOR	0.1μF,10V	C6001	NCBA1AK-104W	CAPACITOR	0.1μF,10V
C4814		NCFA1AZ-104W	CAPACITOR	0.1μF,10V	C6002	NCBA1CK-103W	CAPACITOR	0.01μF,16V
C4818		NCFA1AZ-104W	CAPACITOR	0.1μF,10V	C6003	NCBA1AK-104W	CAPACITOR	0.1μF,10V
C4819		NCB30JK-105X	CAPACITOR	1μF,6.3V	C6004	NBE90JM-106X	T CAPACITOR	10μF,6.3V
C4820		NCFA1AZ-104W	CAPACITOR	0.1μF,10V	C6005	NBP21CM-685X	T CAPACITOR	6.8μF,16V
C4821		NCFA1AZ-104W	CAPACITOR	0.1μF,10V	C6006	NCF31AZ-105X	CAPACITOR	1μF,10V
C4851		NBE90JM-106X	T CAPACITOR	10μF,6.3V	C6007	NBE90JM-106X	T CAPACITOR	10μF,6.3V
C4852		NCFA1AZ-104W	CAPACITOR	0.1μF,10V	C6008	NCBA1AK-104W	CAPACITOR	0.1μF,10V
C4853		NBE91AM-335X	T CAPACITOR	3.3μF,10V	C6009	NCBA1CK-103W	CAPACITOR	0.01μF,16V
C4854		NBE21AM-106X	T CAPACITOR	10μF,10V	L1001	NQR0265-001X	FERRITE BEAD	
C4855		NCB31CK-104X	CAPACITOR	0.1μF,16V	L1002	NQR0265-001X	FERRITE BEAD	
C4858		NDCA1HJ-330W	CAPACITOR	33pF,50V	L1003	NQR0265-001X	FERRITE BEAD	
C4859		NCBA1HK-102W	CAPACITOR	0.001μF,50V	L1201	NQL315K-100X	COIL	10μH
C4860		NCBA1HK-102W	CAPACITOR	0.001μF,50V	L1401	NQR0006-001X	FERRITE BEAD	
C4861		NCBA1HK-102W	CAPACITOR	0.001μF,50V	L1402	NRSA02J-0R0X	MG RESISTOR	0Ω, 1/10W
C4862		NCBA1HK-102W	CAPACITOR	0.001μF,50V	L2001	NQR0006-001X	FERRITE BEAD	
C4864		NBE90JM-106X	T CAPACITOR	10μF,6.3V	L3001	NQR0006-001X	FERRITE BEAD	
C4865		NCBA1AK-104W	CAPACITOR	0.1μF,10V	L3002	NQR0006-001X	FERRITE BEAD	
C4901		NBE90JM-106X	T CAPACITOR	10μF,6.3V	L3003	NQR0006-001X	FERRITE BEAD	
C4902		NCFA1AZ-104W	CAPACITOR	0.1μF,10V	L3004	NQR0006-001X	FERRITE BEAD	
C4903		NCFA1AZ-104W	CAPACITOR	0.1μF,10V	L3005	NQR0006-001X	FERRITE BEAD	
C4906		NCB30JK-105X	CAPACITOR	1μF,6.3V	L3006	NQR0006-001X	FERRITE BEAD	
C4907		NCFA1AZ-104W	CAPACITOR	0.1μF,10V	L3009	NQL085J-2R2X	COIL	2.2μH
C4908		NCFA1HZ-103W	CAPACITOR	0.01μF,50V	L3305	NQR0006-001X	FERRITE BEAD	
C4909		NCFA1AZ-104W	CAPACITOR	0.1μF,10V	L3312	NQL085J-120X	COIL	12μH
C4910		NCFA1HZ-103W	CAPACITOR	0.01μF,50V	L3313	NQL085J-100X	COIL	10μH
C4911		NCFA1HZ-103W	CAPACITOR	0.01μF,50V	L3701	NQL302N-100X	COIL	10μH
C4912		NCBA1HK-102W	CAPACITOR	0.001μF,50V	L3901	NQR0006-001X	FERRITE BEAD	
C4913		NCFA1AZ-104W	CAPACITOR	0.1μF,10V	L3902	NQR0305-001X	FERRITE BEAD	
C4914		NCFA1AZ-104W	CAPACITOR	0.1μF,10V	L3903	NQR0305-001X	FERRITE BEAD	
C4915		NCBA1HK-331W	CAPACITOR	330pF,50V	L3951	NQL302N-100X	COIL	10μH
C4917		NCBA1HK-331W	CAPACITOR	330pF,50V	L3952	NQL085J-6R8X	COIL	6.8μH
C4919		NCB30JK-105X	CAPACITOR	1μF,6.3V	L3953	NQL085J-6R8X	COIL	6.8μH
C4920		NCFA1AZ-104W	CAPACITOR	0.1μF,10V	L4101	NQR0129-002X	FERRITE BEAD	
C4921		NCFA1AZ-104W	CAPACITOR	0.1μF,10V	L4102	NQL045K-100X	COIL	10μH
C4922		NBE21AM-106X	T CAPACITOR	10μF,10V	L4103	NQR0129-002X	FERRITE BEAD	
C4923		NCFA1AZ-104W	CAPACITOR	0.1μF,10V	L4104	NQL045K-100X	COIL	10μH
C5001		NCBA1AK-104W	CAPACITOR	0.1μF,10V	L4201	NQR0265-001X	FERRITE BEAD	
C5002		NCBA1AK-104W	CAPACITOR	0.1μF,10V	L4202	NQL402M-100X	COIL	10μH
C5003		NBE40JM-476X	T CAPACITOR	47μF,6.3V	L4203	NQR0265-001X	FERRITE BEAD	
C5004		NCBA1AK-104W	CAPACITOR	0.1μF,10V	L4301	NQR0265-001X	FERRITE BEAD	

#	△ REF No.	PART No.	PART NAME, DESCRIPTION
	L4302	NQR0265-001X	FERRITE BEAD
	L4303	NQR0265-001X	FERRITE BEAD
	L4305	NQR0265-001X	FERRITE BEAD
	L4306	NQR0129-002X	FERRITE BEAD
	L4307	NQR0265-001X	FERRITE BEAD
	L4351	NQL402M-100X	COIL 10μH
	L4401	NQR0006-001X	FERRITE BEAD
	L4801	NQL302N-100X	COIL 10μH
	L4802	NQL302N-100X	COIL 10μH
	L4851	NQR0129-002X	FERRITE BEAD
	L4852	NQL315K-100X	COIL 10μH
	L4853	NQL315K-100X	COIL 10μH
	L4901	NQL315K-100X	COIL 10μH
	L4902	NQL315K-100X	COIL 10μH
	L5001	NQR0129-002X	FERRITE BEAD
	L5002	NQL045K-100X	COIL 10μH
	L5003	NQR0129-002X	FERRITE BEAD
	L5004	NQR0129-002X	FERRITE BEAD
	L5005	NQR0129-002X	FERRITE BEAD
	L5201	NQR0129-002X	FERRITE BEAD
	L5202	NQR0129-002X	FERRITE BEAD
	L5203	NQL045K-100X	COIL 10μH
	L5204	NQL045K-100X	COIL 10μH
	L5207	NQL402M-100X	COIL 10μH
	L5208	NQL402M-100X	COIL 10μH
	L6001	NQL402M-100X	COIL 10μH
	X1001	NAX0450-001X	C OSCILLATOR
	X1002	NAX0267-001X	CRYSTAL RESONATOR
	X3002	NAX0480-001X	CRYSTAL RESONATOR
	X3301	NAX0169-001X	CRYSTAL RESONATOR
	X4301	NAX0332-001X	CXO
	WR1	WJT0040-001A	E-CARD WIRE,CN113-EJECT CN2422
	WR2	WJV0042-001A	E-PRIMARY WIRE,TL2001-TL4202
	J602	NNZ0041-001X	D CONNECTOR
	CN101	QGA1002F1-02X	CONNECTOR
	CN102	QGF0513F1-20X	FPC CONNECTOR
	CN103	QGA1001F1-02X	CONNECTOR
	CN104	QGF0301F1-39X	FPC CONNECTOR
	CN105	QGB0403M1-C0X	CONNECTOR
	CN106	QGB0404M1-80X	CONNECTOR
	CN107	QGB0509M1-30X	CONNECTOR
	CN108	QGB0512L2-50X	CONNECTOR
	CN109	QGB0507L1-80X	CONNECTOR
	CN110	QGF0517F2-22X	FPC CONNECTOR
	CN111	QGF0517F2-24X	FPC CONNECTOR
	CN112	QGB0402J1-80X	CONNECTOR
	CN113	QGF0501F1-13X	FPC CONNECTOR
	OT1	LY30029-0H1A	SPACER(A)
	OT2	LY30016-0P9A	SPACER-A